

### CCG PosiFlex Cable Gland

The Posi-Flex Cable Gland is designed for use with unarmoured, elastomeric and plastic cables. Manufactured from brass and encapsulated with a non-corrosive polyester outer body, offering complete protection in the most hostile of environments. Seals on cable outer sheath, to IP 68 if fitted with sealing washer.

- For use in highly corrosive environments.
- All exposed brass parts encapsulated in a non-corrosive body.
- Wide sealing range.
- Complete with a fitted elastomeric seal and washer providing IP68 protection.
- Supplied complete with IP sealing washer.

**Standards:** EN 50262 IEC/BS EN 62444  
 BS 6121 Part 1 MASC 11-303  
**Installation:** AS/NZS 3000 BS 7430  
 BS 6121-5 IEC 60364-5-54  
 BS 7671 SANS 0142  
**Marine:** ABS 20-SG1952694-PDA / DNV-GL TAE000000Z



**EMC Compatible:** SGS EMC197708/1

**London Underground Approval:** 3043

**Protection:** IP66 / IP67 / IP68 (2m cont.) ~ MASC 11-263

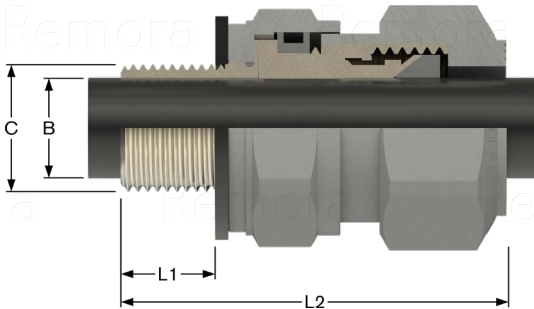
**Temperature Range:** -65°C to 120°C

**Material (Gland):** Brass (Nickel Plated) Encapsulated in Glass Reinforced Polyester

**Material (Seal):** Thermoset Elastomer



Code	Reference	Cable OD (B)		Gland Length (L2)	Thread Entry (C)	Length (L1)	A/F	A/C
	Size	Min	Max					
053800	00 - 20ss	3.0	8.0	43.0	M20 x 1.5	10.0	30.0	34.0
0538-0	0 - 20s	7.0	11.5	43.0	M20 x 1.5	10.0	30.0	34.0
053801	1 - 20	11.0	15.0	47.0	M20 x 1.5	10.0	34.0	38.0
053802	2 - 25	15.0	20.0	50.0	M25 x 1.5	10.0	42.0	47.0
053803	3 - 32	20.0	26.5	60.0	M32 x 1.5	10.0	52.0	59.0
053804	4 - 40	26.0	34.0	72.0	M40 x 1.5	15.0	62.0	70.0



Locknuts Supplied Separately p.89

Call the Remora sales team at **01226 352 000**

Challenge us - We find a solution