



# Dual-Fixing

## Plastic Two-Part Dual-Fixing

**Standard Polypropylene**  
**LSZH Polypropylene**

The TC Two Hole Cable Clamps are a range of two hole fixing, two part cleats designed to fit cables 41mm to 135mm diameter. Manufactured from high strength polypropylene and designed to be easily stacked to save time and space.

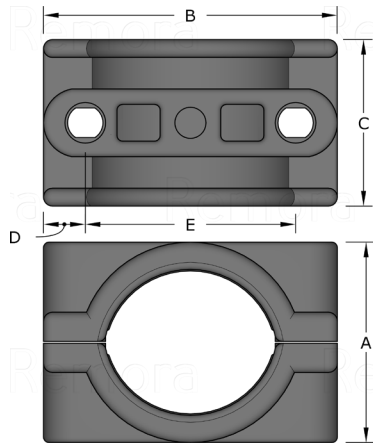
### Dual Fixing - Plastic

- Fastening/fitting/routing single and multiple conductor low, medium and high voltage cables
- Excellent weathering and high resistance to ultraviolet light
- Excellent stiffness
- Excellent tensile strength
- Fully recyclable
- Underwriters Laboratories UL94-V0
- Zero Halogen material (LSZH Polypropylene)

**Standards:** European Standard IEC 61914:2009

**Temperature Range:** -40°C to 40°C

**Material:** Polypropylene / LSZH Polypropylene



Standard Code	Red Code	Low Smoke Code	Cable Range			Dimensions					Fixing Kit
			Min	Max	Stud Hole Size	(A)	(B)	(C)	(D)	(E)	
TC8	TC8-RED	TC8LS	41.0	48.0	2 x M10	62.0	97.0	58.0	12.0	75.0	DBFK10-100
TC9	TC9-RED	TC9LS	48.0	57.0	2 x M10	64.0	99.0	59.0	13.0	76.2	DBFK10-125
TC10	TC10-RED	TC10LS	57.0	64.0	2 x M10	70.0	104.0	59.0	15.0	76.2	DBFK10-125
TC11	TC11-RED	TC11LS	64.0	70.0	2 x M10	81.0	134.0	63.0	12.0	114.3	DBFK10-150
TC12	TC12-RED	TC12LS	70.0	76.0	2 x M10	87.0	135.0	63.0	12.0	114.3	DBFK10-150
TC14	TC14-RED	TC14LS	76.0	85.0	2 x M10	93.0	135.5	63.0	12.0	114.3	DBFK10-150
TC15	TC15-RED	TC15LS	85.0	105.0	2 x M10	108.0	179.0	74.0	17.0	147.0	DBFK10-200
TC16		TC16LS	105.0	112.0	2 x M10	130.0	161.0	54.0	13.0	135.0	DBFK10-200
TC17		TC17LS	112.0	120.0	2 x M10	138.0	169.0	54.0	13.0	143.0	DBFK10-200
TC18		TC18LS	120.0	128.0	2 x M10	148.0	177.0	54.0	13.0	151.0	DBFK10-200
TC19		TC19LS	128.0	135.0	2 x M10	158.0	185.0	54.0	13.0	158.0	DBFK10-200



Fixing Kit (see p.218)

Challenge us - We find a solution