

Dual-Fixing

Plastic Two-Part Dual-Fixing

Standard Polypropylene
LSZH Polypropylene



The TC Two Hole Cable Clamps are a range of two hole fixing, two part cleats designed to fit cables 41mm to 135mm diameter. Manufactured from high strength polypropylene and designed to be easily stacked to save time and space.

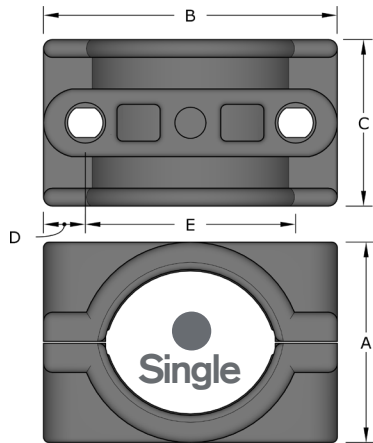
Dual Fixing - Plastic

- Fastening/fitting/routing single and multiple conductor low, medium and high voltage cables
- Excellent weathering and high resistance to ultraviolet light
- Excellent stiffness
- Excellent tensile strength
- Fully recyclable
- Underwriters Laboratories UL94-V0
- Zero Halogen material (LSZH Polypropylene)

Standards: European Standard IEC 61914:2021

Temperature Range: -40°C to 40°C

Material: Polypropylene / LSZH Polypropylene



Standard Code	Low Smoke Code	Cable Range	Dimensions							Fixing Kit	Pack QTY
			Min	Max	Stud Hole Size (A)	(B)	(C)	(D)	(E)		
TC8	TC8LS	41.0	48.0	2 x M10	62.0	97.0	58.0	12.0	75.0	DBFK10-100	100
TC9	TC9LS	48.0	57.0	2 x M10	64.0	99.0	59.0	13.0	76.2	DBFK10-125	100
TC10	TC10LS	57.0	64.0	2 x M10	70.0	104.0	59.0	15.0	76.2	DBFK10-125	100
TC11	TC11LS	64.0	70.0	2 x M10	81.0	134.0	63.0	12.0	114.3	DBFK10-150	50
TC12	TC12LS	70.0	76.0	2 x M10	87.0	135.0	63.0	12.0	114.3	DBFK10-150	50
TC14	TC14LS	76.0	85.0	2 x M10	93.0	135.5	63.0	12.0	114.3	DBFK10-150	50
TC15	TC15LS	85.0	105.0	2 x M10	108.0	179.0	74.0	17.0	147.0	DBFK10-200	25
TC16	TC16LS	105.0	112.0	2 x M10	130.0	161.0	54.0	13.0	135.0	DBFK10-200	25
TC17	TC17LS	112.0	120.0	2 x M10	138.0	169.0	54.0	13.0	143.0	DBFK10-200	10
TC18	TC18LS	120.0	128.0	2 x M10	148.0	177.0	54.0	13.0	151.0	DBFK10-200	10
TC19	TC19LS	128.0	135.0	2 x M10	158.0	185.0	54.0	13.0	158.0	DBFK10-200	10

• Red TC Cleats are available to order subject to MOQ



Fixing Kit (see p.206)

Challenge us - We find a solution