

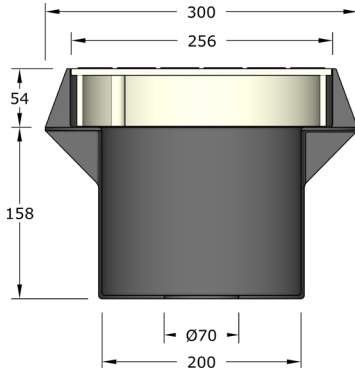
LIGHTWEIGHT INSPECTION PIT

Plastic

Lightweight Earth Inspection Pit



Remora Plastic Inspection Pits are designed to protect the earth rod connection while allowing secure access for later inspection of electrodes and conductors. The lightweight heavy duty plastic pit with its unique design results in performance capabilities superior to traditional concrete pits, at a similar cost. Providing an improved working area, the high-performance polymer material UV stable and chemical resistant, providing an impressive load rating of 5,000kg while weighing only 1.8kg.



Plastic Inspection Pit

- Supplied complete with base, lid and two stainless steel allen-key locking bolts.
- Lockable Jam-Free Lid: Once installed the lid can be locked with the supplied allen-key bolts preventing vandalism. Once locked the design of the lid ensures debris cannot become jammed between the lid and surround.
- Screw Retention: Retention tabs on the underside of the lid prevent loss of screws while in storage or transit. The screws may also be used to lift the lid.
- Shatterproof Material: The high-performance polymer is significantly less brittle than concrete, reducing the likelihood of wastage due to breakages.
- Chemical Resistant: Resistant to most substances including petrol, diesel, oil, bitumen and concrete.
- UV Stable: UV additive minimising the effects of direct sunlight.
- Rod Locating Hole: Central 70mm diameter hole ensuring the earth rod is centrally positioned, simplifying the connection of earthing clamps.

Standards: BS EN 62305-3 Tested to IEC 62561-5

Material: UV and Chemical Resistant Polymer



Code	Description	Load Rating (Kg)	Weight (Kg)
EPP205	Lightweight inspection pit with grey polymer lid	5,000.0	1.8
PT004	5 hole copper earth pit bar	230 x 25 x 6	0.4

Soil Conditioning - Bentonite

Bentonite is a moisture retaining clay used as an earth electrode back-fill to help lower soil resistivity. The clay is a sodium activated montmorillonite, which when mixed with water swells to many times its original volume. Bentonite is supplied in granular form. The granular form is easier to handle as the powder can cause dust in windy conditions. The typical expansion ratio when mixed with water is 2:1.



Code	Description	Weight each (Kg)
BENT01	Bentonite Powder	25.0
BENT02	Bentonite Granules	25.0

