

## TREFOIL CABLE CLEATS

# Tri-eco Dual-Fixing

### Glass Fibre Reinforced Polyamide

The TRI eco Trefoil Clamp is designed for cleating three single cables in a trefoil configuration where low to medium short circuit withstand levels are required. The range is covered by three sizes and covers cables from 24.0 to 66.0mm overall diameter.

Glass fibre reinforced Polyamide provides high mechanical and chemical resistance. Designed to provide superior mechanical strength, ideal for installations where the cables are subject to short circuit rating. The width of the clamping-area provides a controlled pressure on the cable and avoids damage to the isolation. Fire resistant and resistant to UV radiation and therefore suitable for indoor and outdoor use. No alteration of strength and signs of degrading within temperatures ranges from -80°C to +120°C. (Shortly up to +225°) Resistance to different amounts of radiation makes our products ideal for use in various areas of nuclear power plants. Its unique blend of chemical, electrical and physical properties makes it suitable for a wide range of industrial applications



### Non Metallic Trefoil Cleat

- Cleating three single core cables in trefoil configuration where low to medium short circuit withstand levels are required
- Excellent weathering and corrosion resistance
- Fire and UV radiation resistant
- Excellent tensile strength
- Excellent stiffness

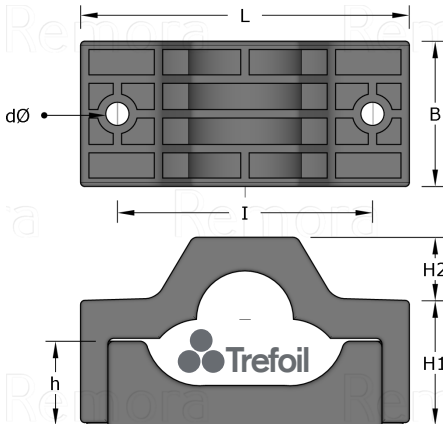
**Standards:** European Standard IEC 61914:2016

**Mechanical Strength:**  
 TRleco24-35 15.000N  
 TRleco33-46 16.900N  
 TRleco47-66 22.300N  
 TRleco67-82 23.900N

**Flame Resistance:** UL94-V0

**Temperature Range:** -80°C to 120°C

**Material:** Glass Fibre Reinforced Polyamide (PA66)



Code	Cable Range		Dimensions							Fixing Kit
	Min	Max	(dØ)	(L)	(B)	(I)	(H1)	(H2)	(h)	
TRleco24-35	24.0	35.0	11.0	136.0	70.0	101.0	54.0-78.0	20.0	35.0	DBFK10-125
TRleco33-46	33.0	46.0	11.0	156.0	70.0	121.0	58.0-90.0	30.0	41.0	DBFK10-150
TRleco47-66	47.0	66.0	13.0	205.0	70.0	170.0	80.0-120.0	38.0	51.0	DBFK10-200
TRleco67-82	67.0	82.0	12.5	232.0	70.0	200.0	90.0-121.0	72.0	52.5	DBFK10-200



Fixing Kit (see p.218)