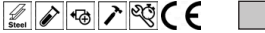
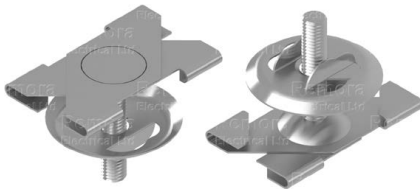
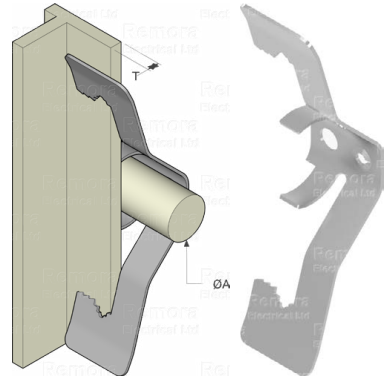


Fastening Clips to conduit



Code	(T)	Conduit Size		Load Rating Kg	Material Finish	Box Qty
		Ø (A)				
FM-313T	3.0 - 5.0	16 - 25		45	F8+	100
	6.0 - 9.0	16 - 20		45	F8+	100
	9.0 - 13.0	16		45	F8+	100
FM-320T	3.0 - 5.0	20 - 38		45	F8+	100
	6.0 - 9.0	20 - 35		45	F8+	100
	9.0 - 13.0	20 - 30		45	F8+	100
	13.0 - 16.0	20 - 25		45	F8+	100
	16.0 - 20.0	20		45	F8+	100



Suspended Ceiling Clips



Code	Ø	(A)	(B)	Load		Material Finish	Box Qty
				Rating Kg			
JHX-16SW	M6	16.0	25.0	9.0		F4	100
JHX-16S	M6	16.0	25.0	22.0		F8+	100
JHX-38S	M6	38.0	25.0	22.0		F8+	100
JH-15SW	M6	15.0	15.0	22.0		F4	100

