

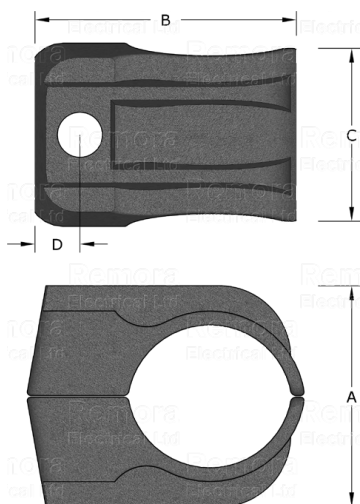
CABLE CLEATS

Single Fixing

Plastic Two-Part Single-Fixing

LSZH Nylon

The Single Fixing Two Part Clamps are designed to fit cables 10.0mm to 57.0mm diameter. Manufactured from high strength Zero halogen phosphorus free Nylon.



Plastic Two-Part Single-Fixing

- Fastening/fitting/routing single and multiple conductor low and medium voltage cables
- Excellent tensile strength
- Excellent weathering and high resistance to ultraviolet light
- Flame retardant UL94-V0
- Zero Halogen material

Standards: European Standard IEC 61914:2009

Temperature Range: -40°C to 60°C

Material: Black Flame Retardant V0 Zero Halogen Phosphorus Free Nylon (LSZH)



Low Smoke Code	Cable Range		Stud Hole Size	Dimensions			
	Min	Max		(A)	(B)	(C)	(D)
1F10LSF	10.0	13.0	M10	27.0	37.8	41.4	10.2
1F11LSF	13.0	16.0	M10	30.0	41.2	41.4	10.4
1F12LSF	16.0	19.0	M10	33.0	44.3	41.4	10.7
1F13LSF	19.0	23.0	M10	36.0	46.2	41.4	10.9
1F14LSF	23.0	27.0	M10	40.0	52.2	41.4	11.3
1F15LSF	27.0	32.0	M10	44.0	57.1	41.4	11.6
1F16LSF	32.0	38.0	M10	49.0	63.1	41.4	12.1
1F17LSF	38.0	46.0	M10	58.0	71.3	41.4	12.9
1F18LSF	46.0	51.0	M10	67.0	77.3	41.4	13.5
1F19LSF	51.0	57.0	M10	72.0	83.2	41.4	13.9